

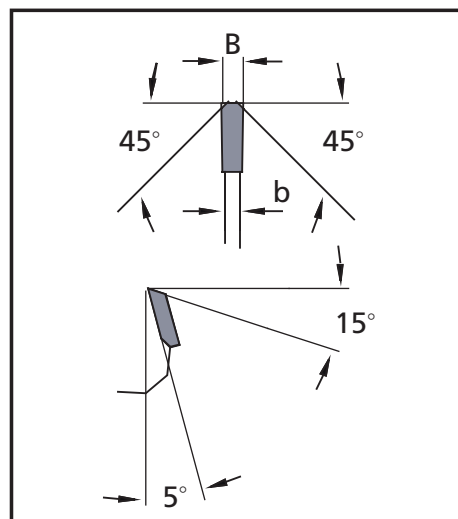
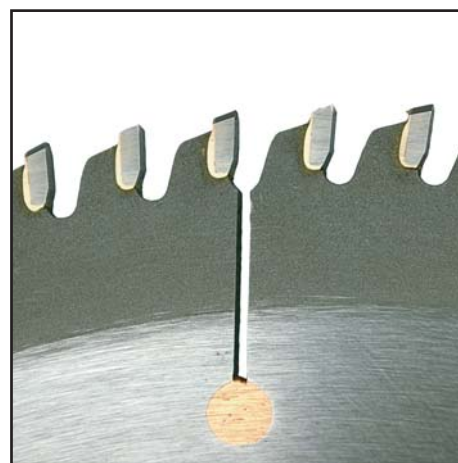


» HW-Kreissägeblätter für NE-Metalle positiv » carbide-tipped saw blades for NF-metals positive

Mit positivem Spanwinkel, für Aluminium-profile und andere NE-Metallprofile.

With positive rake angle, for cutting walled aluminium and other nonferrous-metal sections.

Bestellnummer Order-Number	D	Z	B / b	d	Preis in € Price in €
22.250.054.01	250	54	3.2/2.5	30	
22.250.060.01	250	60	3.2/2.5	30	
22.250.080.01	250	80	3.2/2.5	30	
22.280.088.01	280	88	3.3/2.8	32	
22.300.072.01	300	72	3.2/2.5	30	
22.300.084.01	300	84	3.2/2.5	30	
22.300.096.01	300	96	3.2/2.5	30	
22.350.084.01	350	84	3.2/2.5	30	
22.350.108.01	350	108	3.2/2.5	30	
22.400.072.01	400	72	4.0/3.2	30	
22.400.096.01	400	96	4.0/3.2	30	
22.400.120.01	400	120	4.0/3.2	30	
22.450.096.01	450	96	4.0/3.2	30	
22.450.108.01	450	108	4.0/3.2	30	
22.450.120.01	450	120	4.0/3.2	30	
22.500.120.01	500	120	4.2/3.6	30	
22.550.072.01	550	72	4.6/3.8	40	
22.600.160.01	600	160	4.4/3.6	40	
22.600.190.01	600	190	4.4/3.8	30	
22.610.148.01	610	148	4.0/3.4	60	
22.650.120.01	650	120	5.0/4.0	32	



Blätter mit Bohrung bis 40mm werden mit 2 Nebenlöchern 10/60 geliefert.
Blades with bore up to 40mm will be delivered 2 pinholes 10/60.